

KRATOS320

Allegro LITE



Featuring Linak Jumbo Care advanced diagnostic control system
Powered by LA44 European Standards compatible linear actuator

A new generation light weight aluminium lifter evolved from the needs of the carer.

Allegro
CONCEPTS PTY LTD

Allegro LITE



PRODUCT DESCRIPTION

Bariatric Aluminium lift Kratos 7102.

- Aluminium lift with a Safe Working Load (SWL) of 320kg
- Linak powered lifting function and base width adjustment
- Fold down armrests add reassurance and stability for the patient when gait training
- Equipped with 100mm front castors and 125mm lockable rear castors
- LA 44 actuator which exceeds European standards
- Jumbo Care diagnostic control and service monitor system
- Easy access emergency stop button
- Electric and manual emergency lowering devices
- Anti-entrapment feature – lowering of boom stops on resistance



Powered base width adjustment



Quick release, extra wide, four point yoke



Fold down armrests for gait training



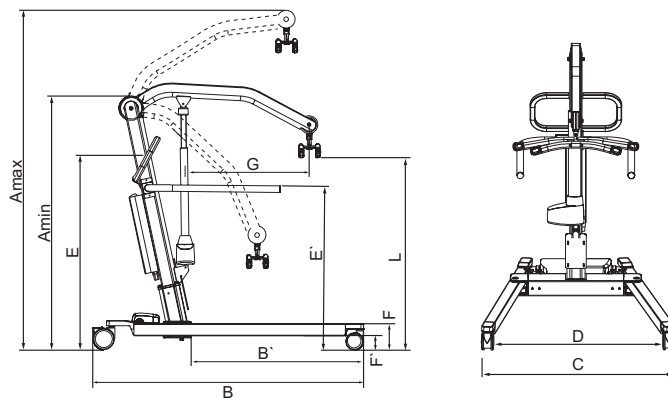
Armrests shown when not in use



Adjustable mast height – 3 positions



Rear castors with brakes for security



| ITEM NO | MAX LOAD | L | | A | | B | B1 | C | D | E | F | F1 | G | NW | Turning Radius |
|---------|----------|-----|------|-------|-------|-------|------|----------|----------|-----|------|-----|-----|------|----------------|
| | | MAX | MIN | MAX | MIN | | | | | | | | | | |
| 7102 | 320 | 196 | 67.5 | 216.5 | 156.5 | 150.5 | 92.5 | 76.5~119 | 64~106.5 | 121 | 15.5 | 8.5 | 100 | 61kg | 159 |
| | | 191 | 62.5 | 211.5 | 151.5 | | | | | 118 | | | | | |
| | | 186 | 57.5 | 206.5 | 146.5 | | | | | 113 | | | | | |

* All measurements are shown in centimetres.

Allegro Concepts Pty Ltd

30-32 James Street Lidcombe NSW 2141
 Phone: (02) 9749 7812 Fax (02) 9749 2144
 Email: sales@allegroconcepts.com.au

