

NEOS I 50 FOLDING

Allegro LITE



A new generation light weight aluminium lifter evolved from the needs of the carer.

Allegro
CONCEPTS PTY LTD

Allegro LITE



PRODUCT DESCRIPTION

Folding Aluminium lift Neos 7107.

- Aluminium lift with a Safe Working Load (SWL) of 150kg
- Folding design for convenient storage and transfer
- Linak powered lifting function
- Foot pedal control for base width adjustment
- Strong and comfortable handles for easy manoeuvring
- Equipped with 75mm front castors and 100mm lockable rear castors
- Jumbo Care diagnostic control and service monitor system
- Easy access emergency stop button
- Electric and manual emergency lowering devices
- Anti-entrapment feature – lowering of boom stops on resistance



Simple adjustment of base width with foot pedal



Rear castors with brakes for security



Quick release yoke



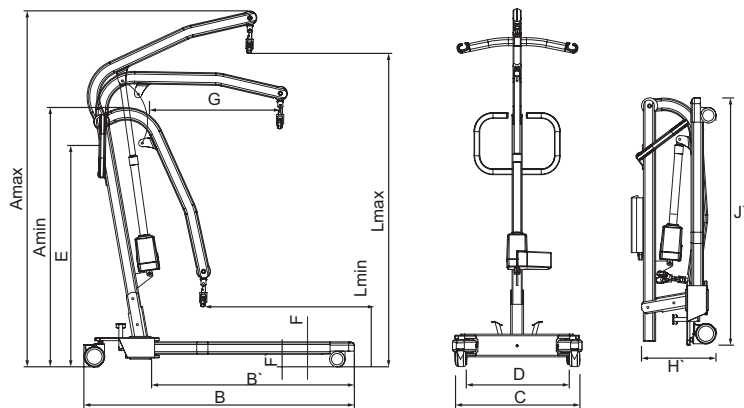
Quick release folding mast



Retractable base width for storage



Neos shown folded for ease of storage and transfer



ITEM NO	MAX LOAD	L		A		B	B1	C	D	E	F	F1	G	H	J	NW	Turning Radius
		MAX	MIN	MAX	MIN												
7107	150	165	41	185	137	129	95	61.5-96.5	55-89	121	7.2	13.5	44	46	123	35kg	135

* All measurements are shown in centimetres.

Allegro Concepts Pty Ltd

30-32 James Street Lidcombe NSW 2141
 Phone: (02) 9749 7812 Fax (02) 9749 2144
 Email: sales@allegroconcepts.com.au

